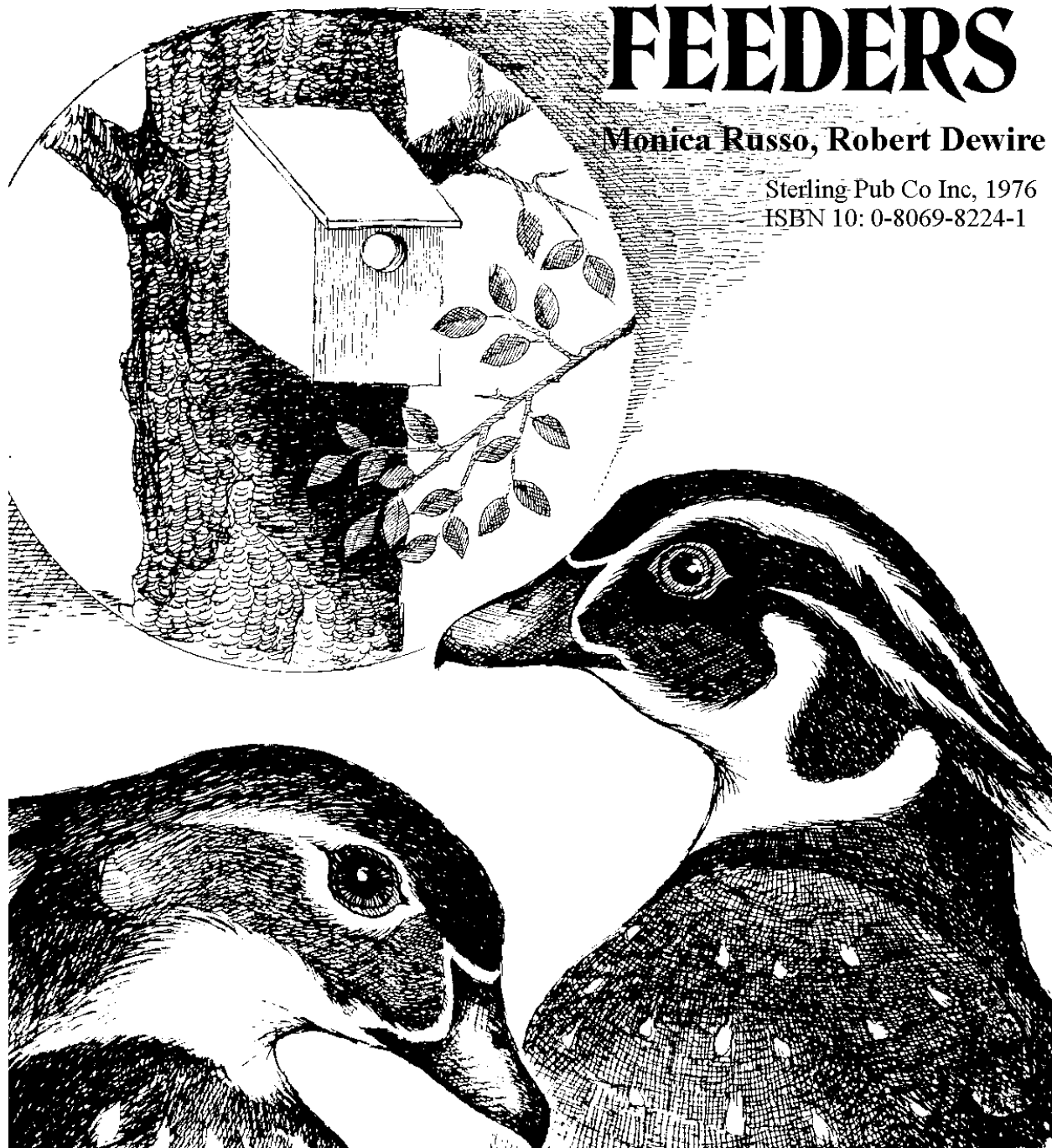


THE COMPLETE BOOK OF BIRDHOUSES AND FEEDERS

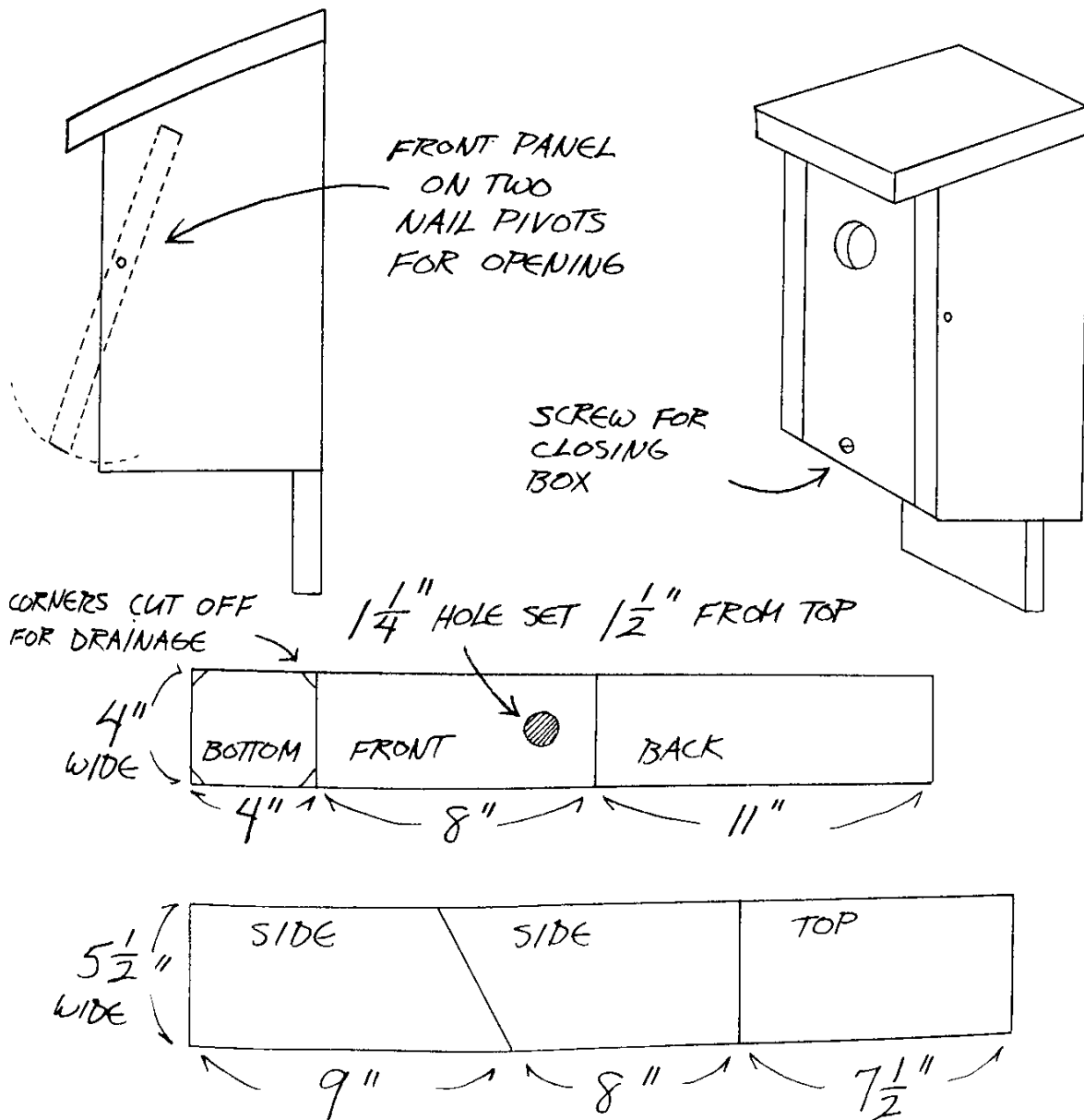
Monica Russo, Robert Dewire

Sterling Pub Co Inc, 1976

ISBN 10: 0-8069-8224-1



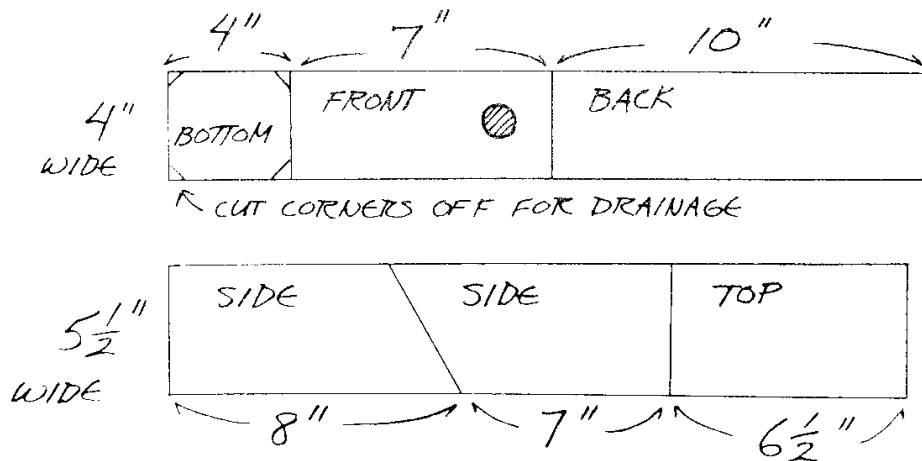
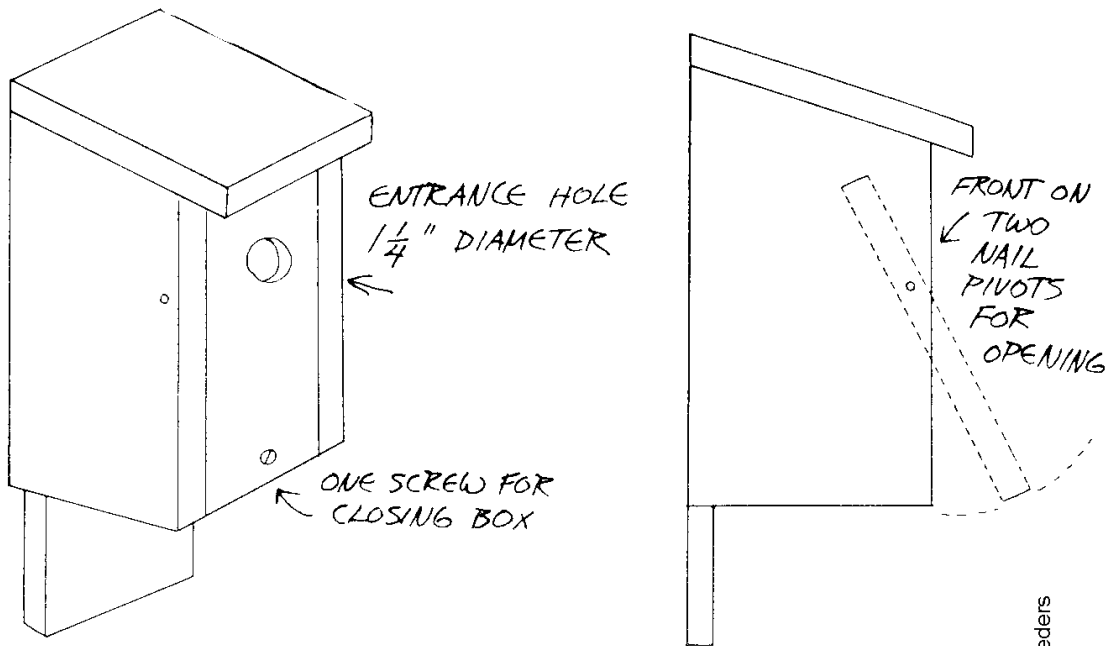
BLACK-CAPPED CHICKADEE & TUFTED TITMOUSE BOX



CHICKADEES + TITMICE ARE BOTH WOODLAND BIRDS, AND AS SUCH PREFER TO USE BOXES PLACED ON TREES IN WOODS, 6 TO 12 FEET HIGH.

Complete Book of Birdhouses and Feeders
 Monica Russo, Robert Dewire
 Sterling Pub Co Inc, 1976
 ISBN: 0806982241 / 0-8069-8224-1

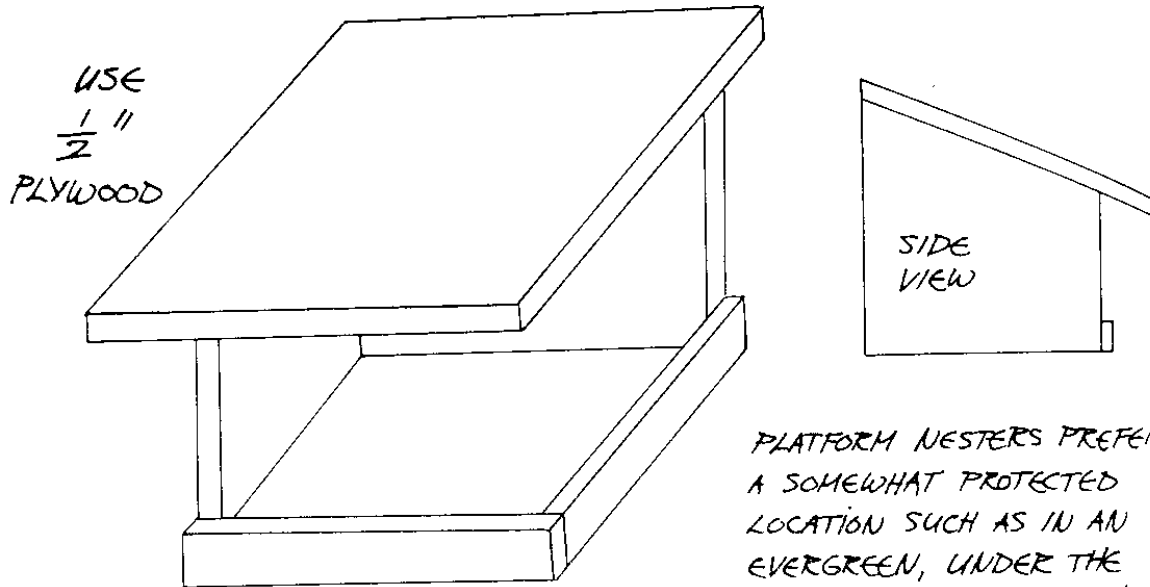
The House Wren Box



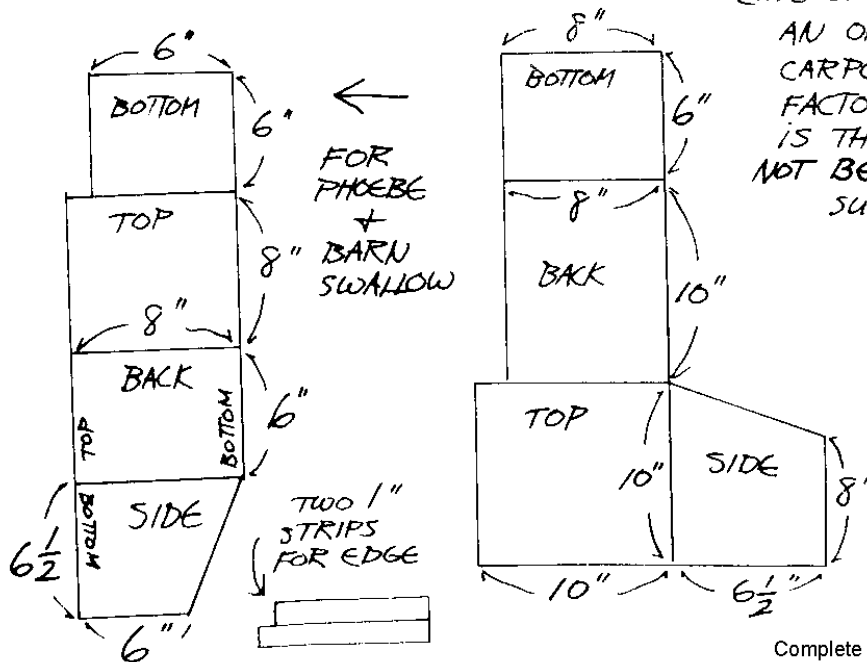
HOUSE WRENS ARE NOT PARTICULARLY CHOOSY ABOUT LOCATIONS, NESTING IN OPEN FIELDS, BUSHY AREAS, DECIDUOUS WOODLANDS, OR NEAR HOUSES. HEIGHT FROM THE GROUND CAN RANGE FROM 5 TO 10 FEET.

Complete Book of Birdhouses and Feeders
Monica Russo, Robert Dewire
Sterling Pub Co Inc, 1976
ISBN: 0806982241 / 0-8069-8224-1

The Robin, Phoebe, + Barn Swallow Nesting Platform

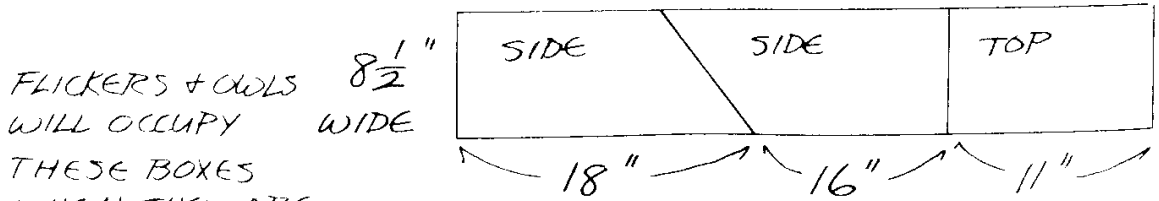
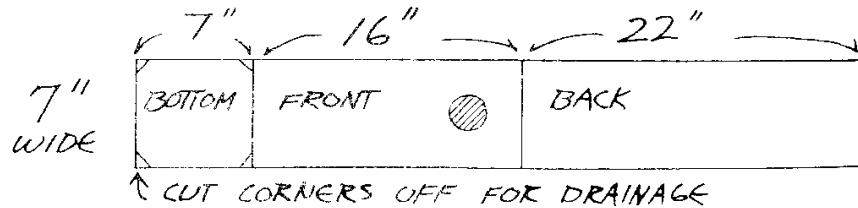
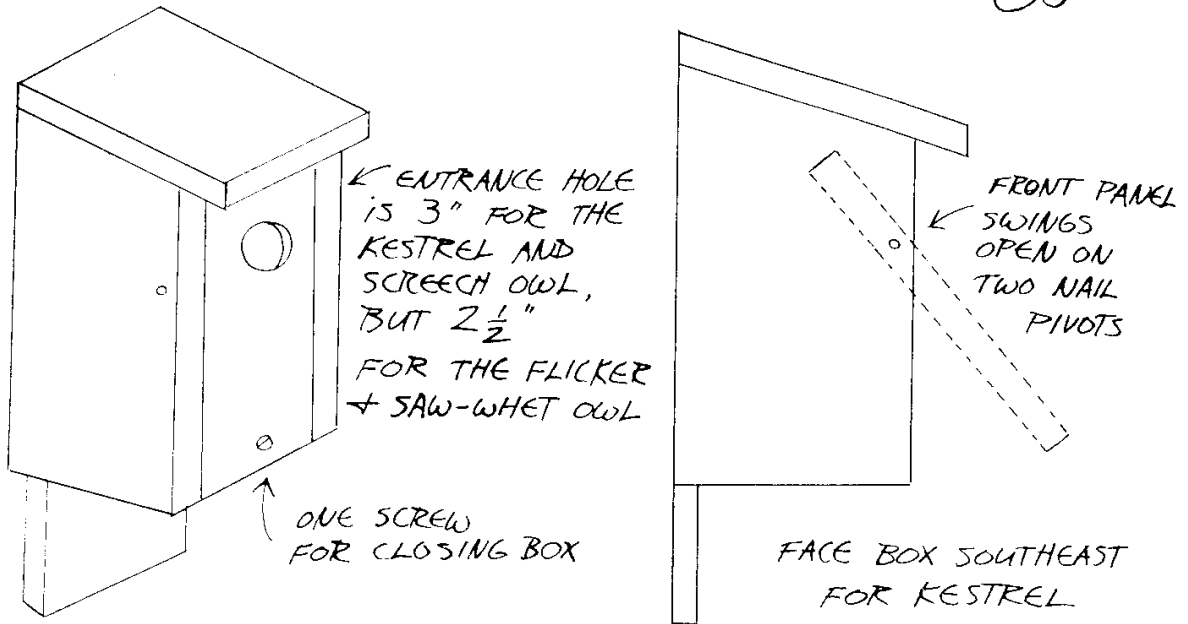


PLATFORM NESTERS PREFER A SOMEWHAT PROTECTED LOCATION SUCH AS IN AN EVERGREEN, UNDER THE EAVE OF A BUILDING, IN AN OPEN GARAGE OR CARPORT. AN IMPORTANT FACTOR TO CONSIDER IS THAT THE PLATFORM NOT BE ACCESSIBLE TO SUCH PREDATORS AS CATS!



Complete Book of Birdhouses and Feeders
Monica Russo, Robert Dewire
Sterling Pub Co Inc, 1976
ISBN: 0806982241 / 0-8069-8224-1

The Flicker, Kestrel, + Owl Box



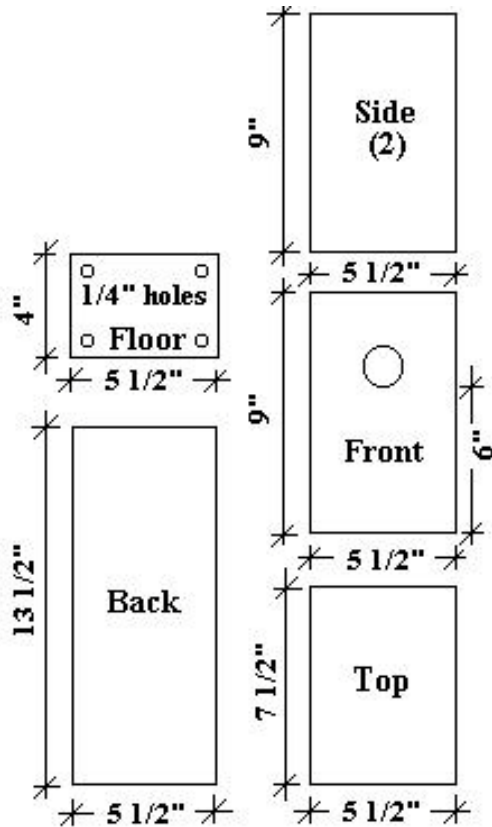
FLICKERS + OWLS WILL OCCUPY THESE BOXES WHEN THEY ARE PLACED ON A TREE OR POST

IN A WOODED AREA ANYWHERE FROM 6 TO 12 FEET ABOVE THE GROUND. SCREECH OWLS MAY ALSO BE FOUND USING THE WOOD DUCK NEST-BOX. KESTRELS PREFER TO BE IN THE OPEN OR ALONG A WOODED EDGE 10 OR MORE FEET UP.

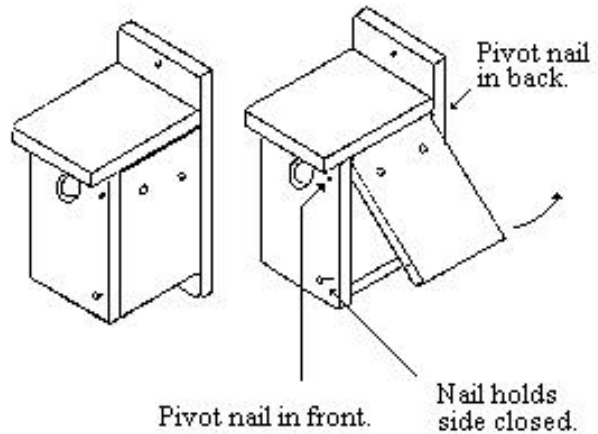
Complete Book of Birdhouses and Feeders
 Monica Russo, Robert Dewire
 Sterling Pub Co Inc, 1976
 ISBN: 0806982241 / 0-8069-8224-1

TREE SWALLOW AND EASTERN BLUEBIRD BOX

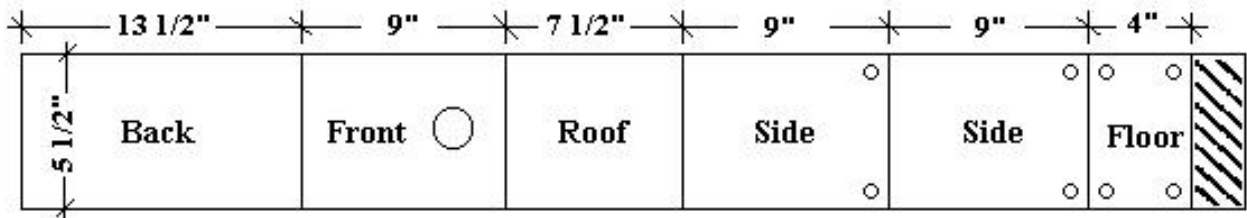
Entrance hole 1.5" dia. at 1.5" for top



Two "pivot" nails allow side to swing out for cleaning. Use one nail at bottom to keep door closed.

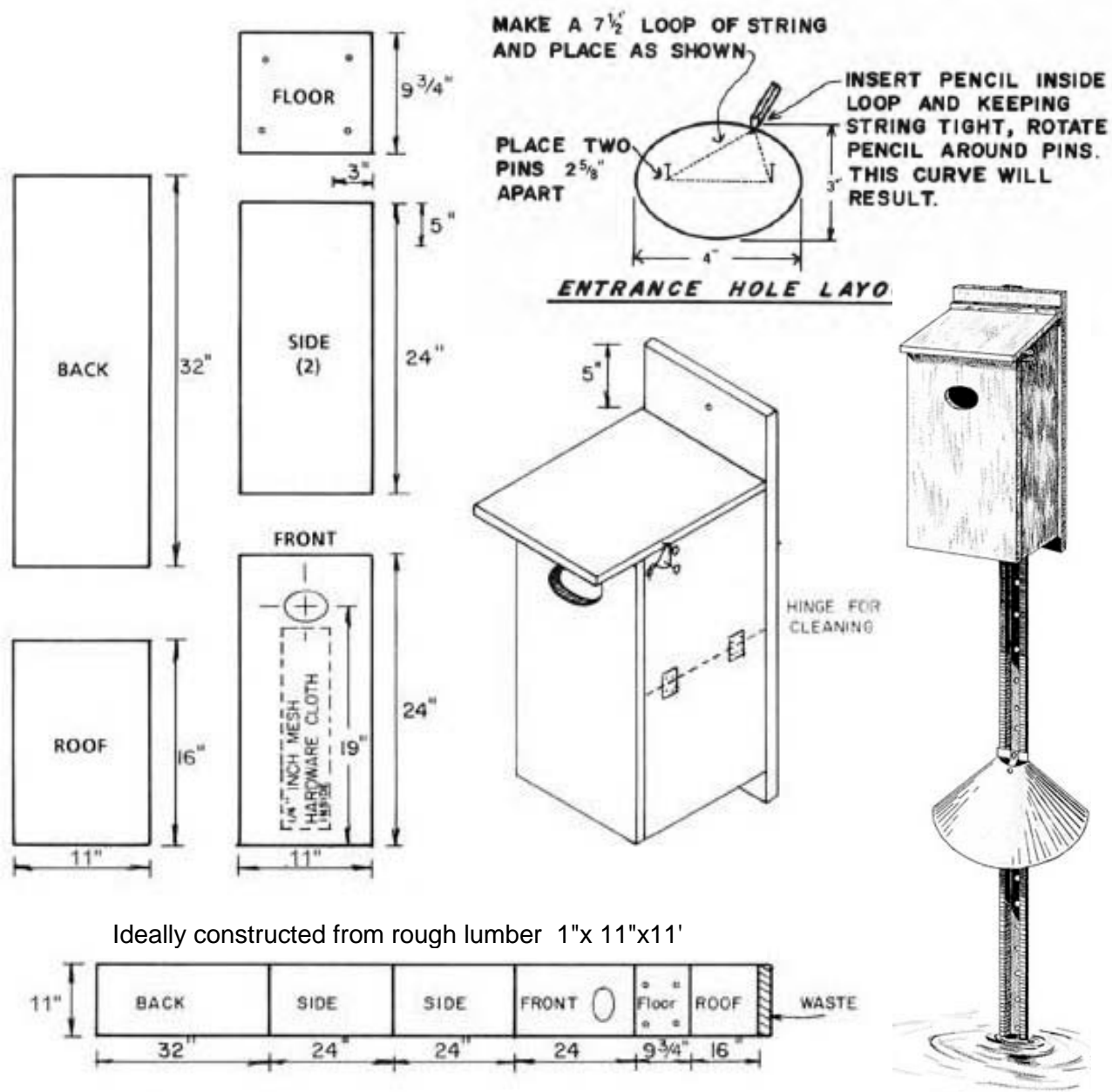


Lumber: One 1" x 6" x 6'



For Bluebirds place box only 5-6 ft high. For Tree Swallows place box 6-10 feet up. All like houses in open areas. Bluebirds near fields Swallows near water.

WOOD DUCK AND HOOD MERGANSER BOX



Ideally constructed from rough lumber 1"x 11"x11'

Should be constructed of a weather-resistant wood; cedar or cypress is often recommended. The wood can be painted, stained, or treated, but only on the outside surface. A 3-inch wide strip of 1/4-inch mesh hardware cloth should be securely fastened to the inside of the box under the entrance to function as a ladder for the hen and newly hatched ducklings. The cut edges of this cloth should be folded back before insertion to avoid injury to the ducklings. Another method of assisting the ducklings in their climb from the nest to the entrance hole is to roughen up the wood surface under the hole with a chisel. A 3-inch layer of coarse sawdust should be placed at the bottom of the box to serve as nesting material and to help prevent the eggs from rolling around. To prevent predation, wood duck boxes should be fitted with a galvanized sheet metal predator guard or some form of predator guard